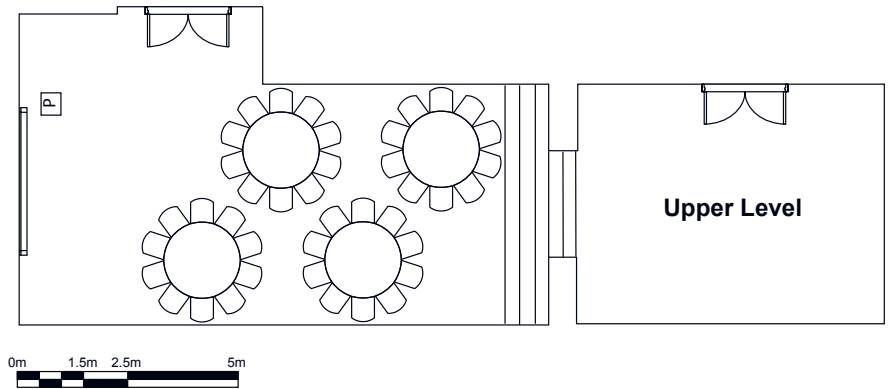


FLOOR PLANS

# BANQUET

PRINCE ALFRED ROOM

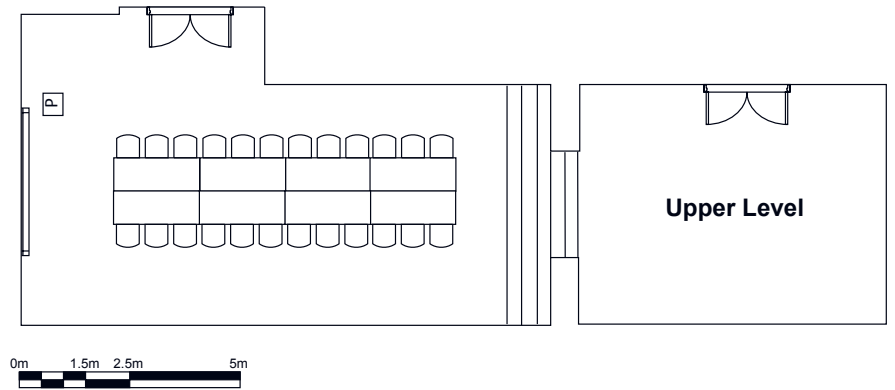


CAPACITY  
100

FLOOR PLANS

# BOARDROOM

PRINCE ALFRED ROOM

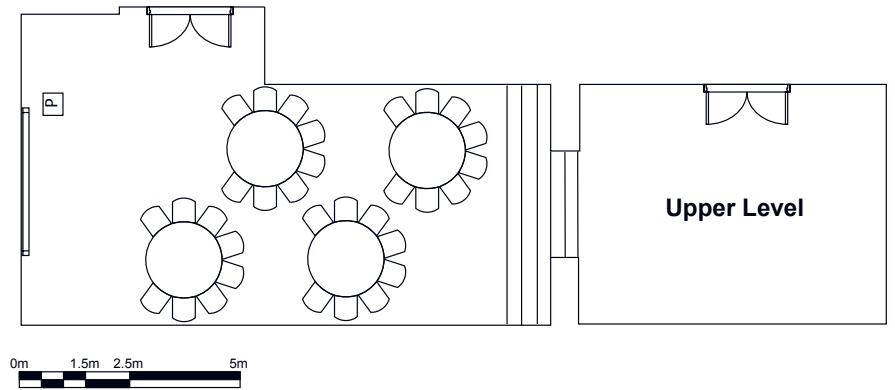


CAPACITY  
24

FLOOR PLANS

# CABARET

PRINCE ALFRED ROOM

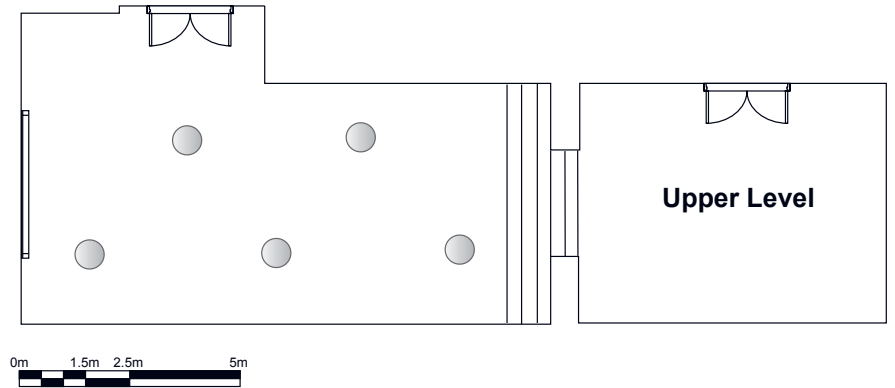


CAPACITY  
32

FLOOR PLANS

# COCKTAIL

PRINCE ALFRED ROOM

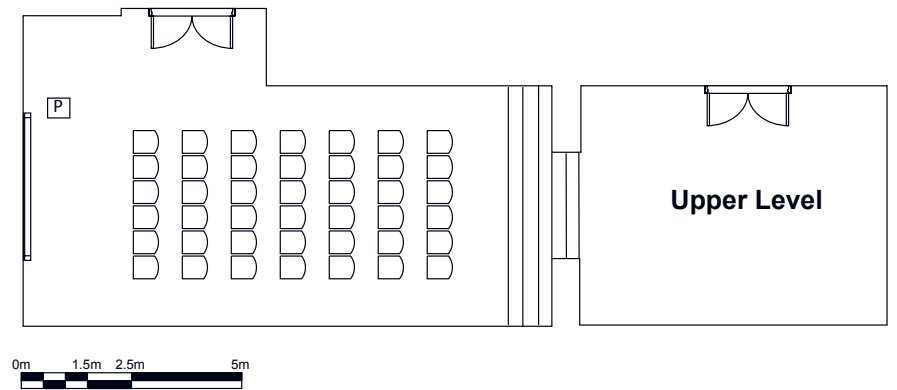


CAPACITY  
70

FLOOR PLANS

# THEATRE

PRINCE ALFRED ROOM

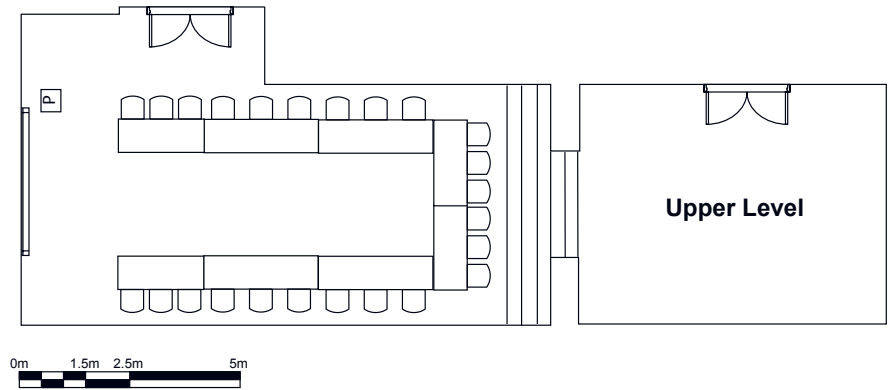


CAPACITY  
45

FLOOR PLANS

# U-SHAPE

PRINCE ALFRED ROOM



CAPACITY  
24