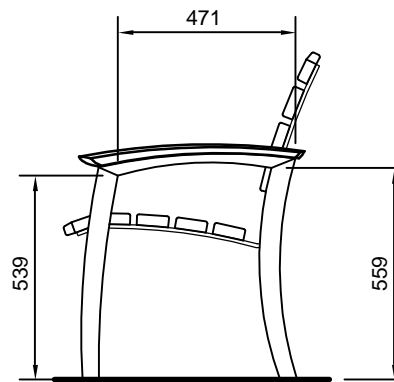
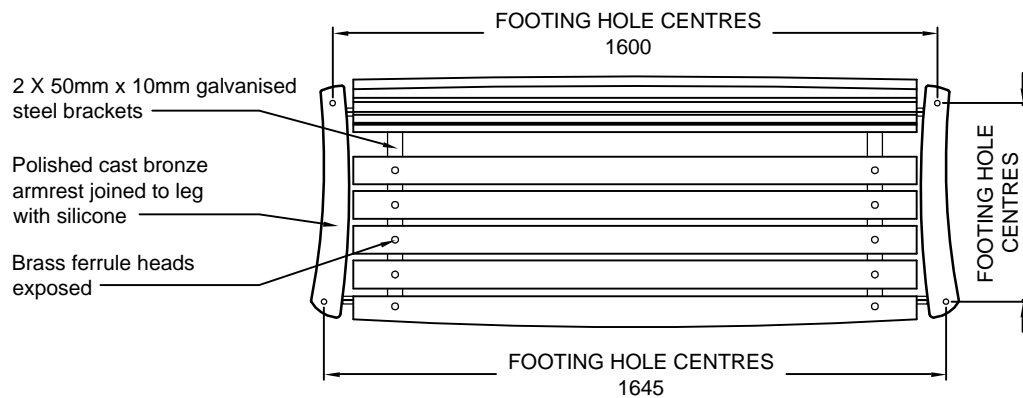


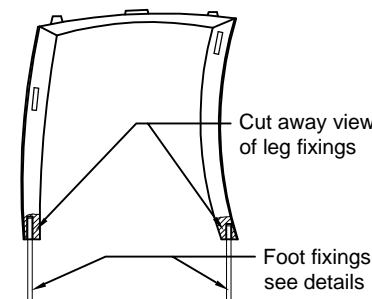
FRONT ELEVATION
(1:20)



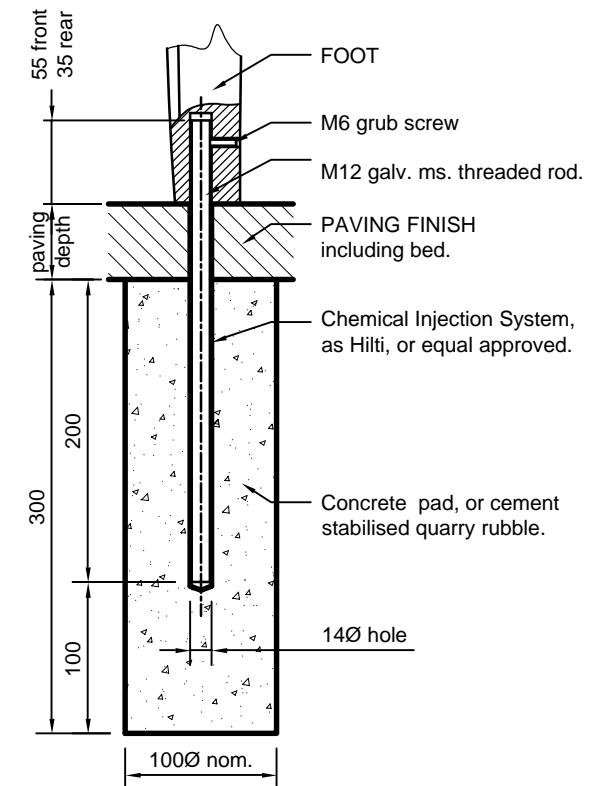
END ELEVATION
(1:20)



TOP
(1:20)



LEG (inside view)
(1:20)



SECTION THROUGH FOOT SHOWING CONNECTION DETAIL TO GROUND FOR FRONT AND REAR FEET.

FOOT - FIXING DETAIL
(1:5)

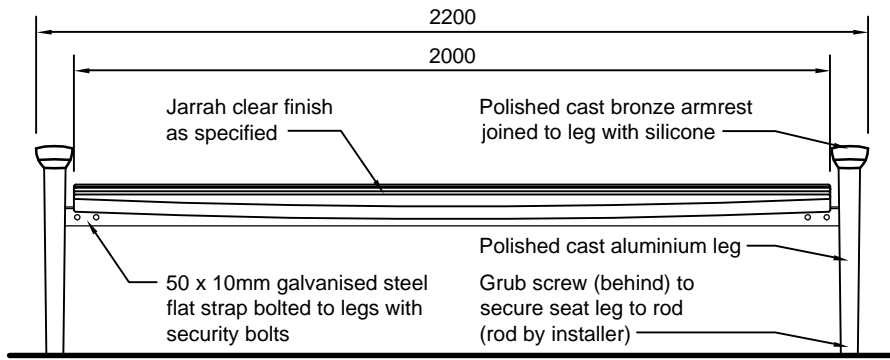
DESIGNED TL	CHECKED TL
DRAWN JR	CERTIFIED RS
DATE 04/2001	
SCALE as shown	
DRWG No. C-FS-101-01	

© COPYRIGHT
This document produced by City of Adelaide shall not copied without written consent.

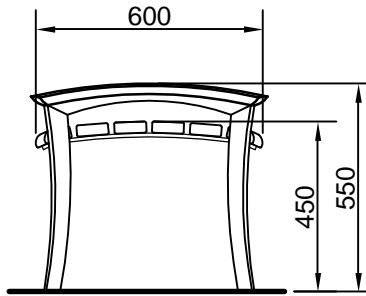
CONSTRUCTION STANDARD
Furniture
ADELAIDE SUITE
Seat



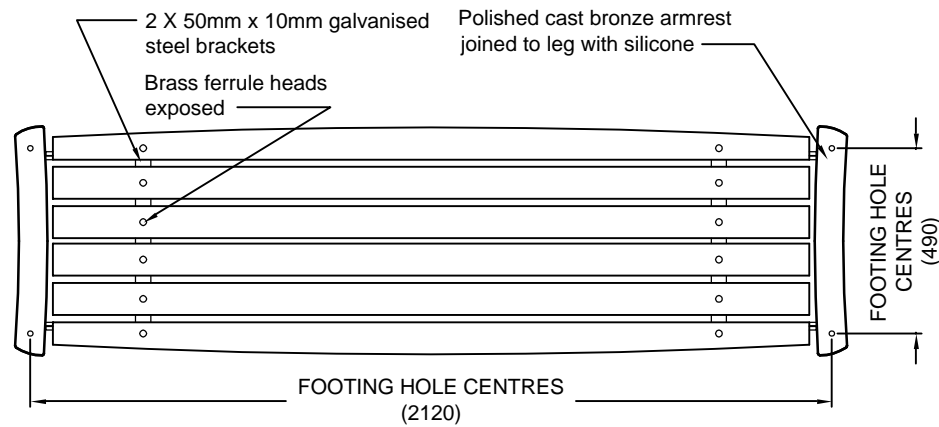
STANDARD NUMBER	SHEET No.
F 110	01



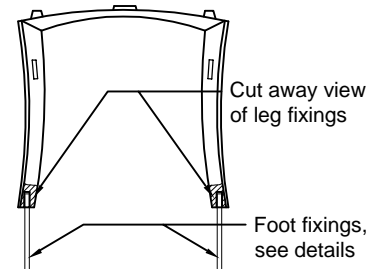
FRONT ELEVATION
(1:20)



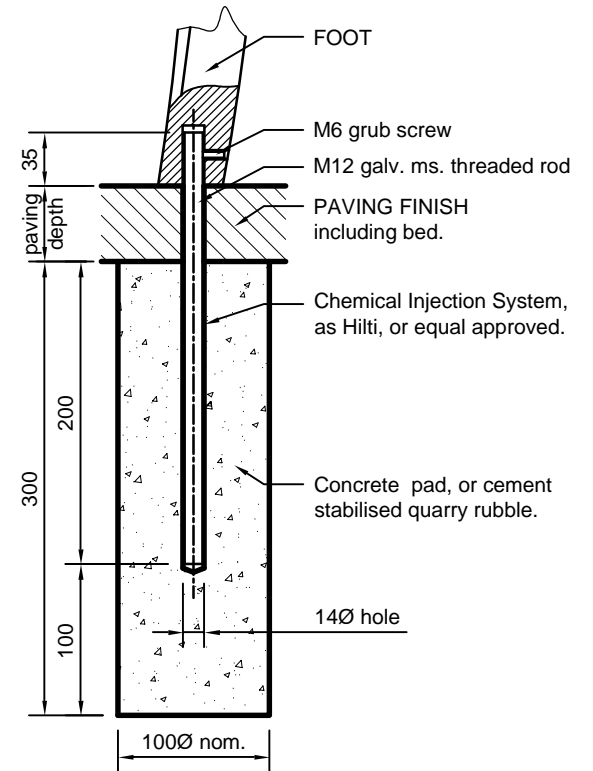
END ELEVATION
(1:20)



TOP
(1:20)



LEG (inside view)
(1:20)



SECTION THROUGH FOOT SHOWING CONNECTION DETAIL TO GROUND.

FOOT - FIXING DETAIL
(1:5)

DESIGNED TL	CHECKED TL
DRAWN JR	CERTIFIED RS
DATE 04/2001	
SCALE as shown	
DRWG No. C-FS-102-01	

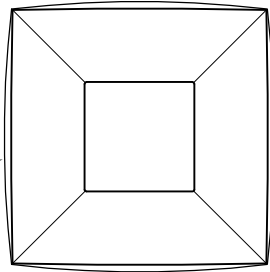
© COPYRIGHT
This document produced by City of Adelaide shall not copied without written consent.

CONSTRUCTION STANDARD
Furniture
ADELAIDE SUITE
Bench



STANDARD NUMBER	SHEET No.
F 120	01

Polished Bronze/Aluminium top section



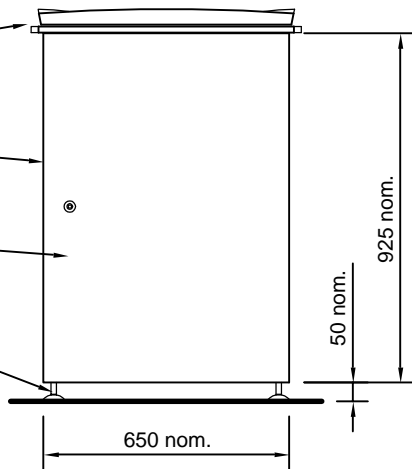
TOP
(1:20)

Polished Bronze/Aluminium top section

Galvanised woven wire mesh, powdercoated 'Dulux Charcoal Metallic Gloss 18796' or equivalent.

Door opens, for fixing and bin removal.

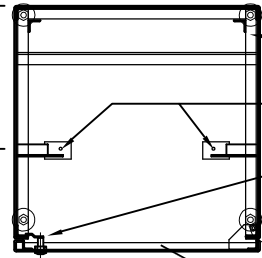
Adjustable levelling feet



FRONT ELEVATION
(1:20)

FIXING HOLE CENTRES
(to suit supplied enclosure)

FIXING HOLE CENTRES
(to suit supplied enclosure)



PLAN
(1:20)

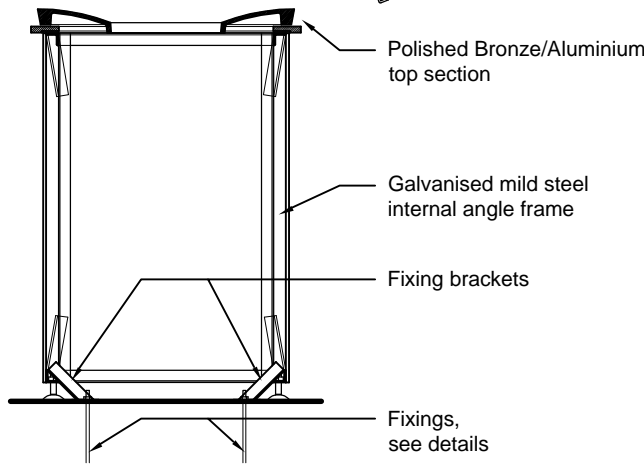
Galvanised mild steel internal angle frame

Fixings

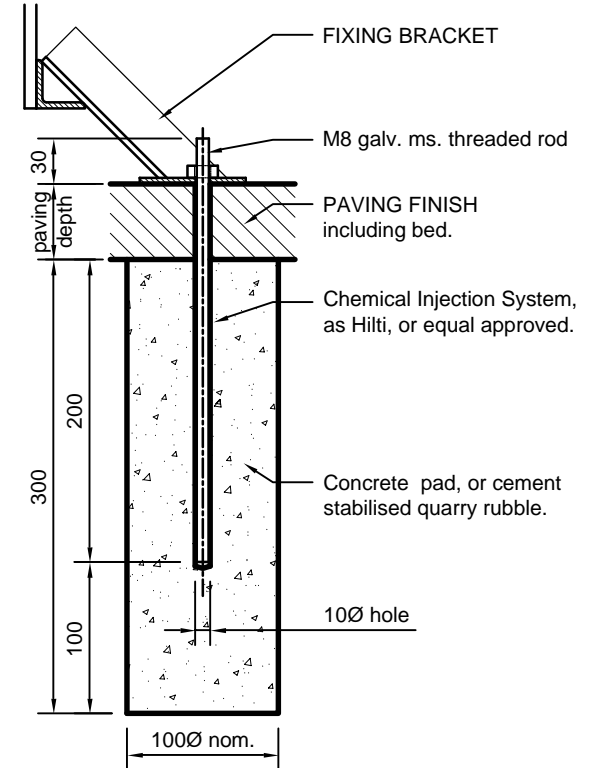
Budget lock

Chain from bin frame to door, screwed in place

Door in open position



SECTION
(1:20)



FIXING DETAIL
(1:5)

DESIGNED TL	CHECKED TL
DRAWN JR	CERTIFIED RS
DATE 05/2001	
SCALE as shown	
DRWG No. C-FS-103-01	

City Projects

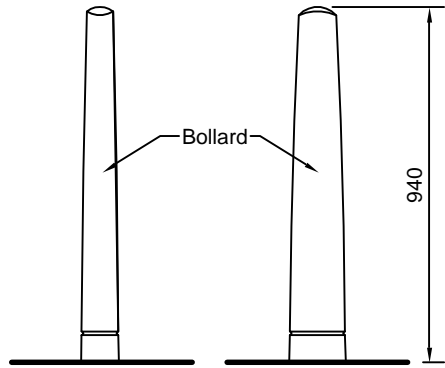
© COPYRIGHT
This document produced by City of Adelaide shall not copied without written consent.

CONSTRUCTION STANDARD

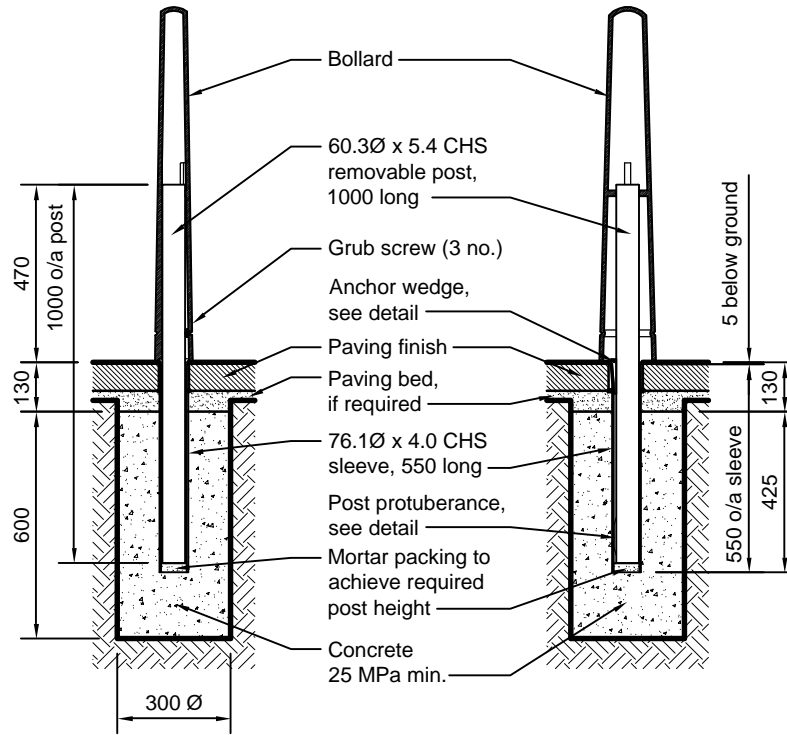
Furniture
ADELAIDE SUITE
Bin Enclosure

DELAIDE
CITY COUNCIL

STANDARD NUMBER	SHEET No.
F 210	01



ELEVATIONS
(1:20)



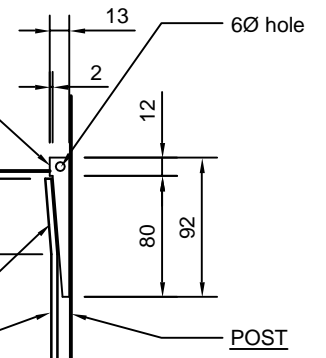
SECTIONS
(1:20)

NOTES
Post to be installed vertical.
Post protuberance to be aligned with crimp.

ANCHOR WEDGE
Ex. 6mm m.s. plate hot dip galvanised after fabrication.
Taper to suit crimp to sleeve.

CRIMP TO SLEEVE
to receive Anchor Wedge.
Taper 0 to 4 over 50mm.

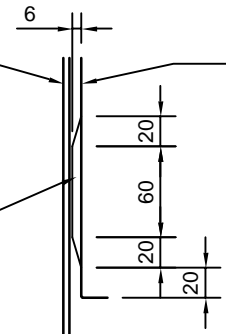
SLEEVE ————— **POST**



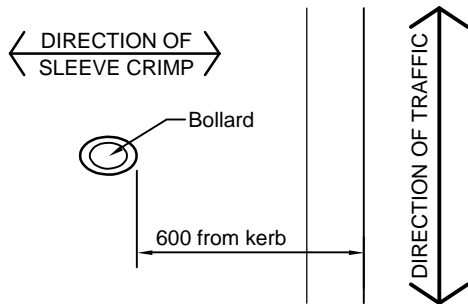
ANCHOR WEDGE DETAIL
(1:5)

SLEEVE ————— **POST**

POST PROTUBERANCE
Ex. 6mm x 14mm nom. m.s. flat, welded near bottom of post.

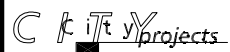


POST PROTUBERANCE
(1:5)



ORIENTATION PLAN
(1:20)

DESIGNED	TL	CHECKED	TL
DRAWN	JR	CERTIFIED	RS
DATE	05/2001	SCALE	as shown
DRWG No.	C-FS-107-01		

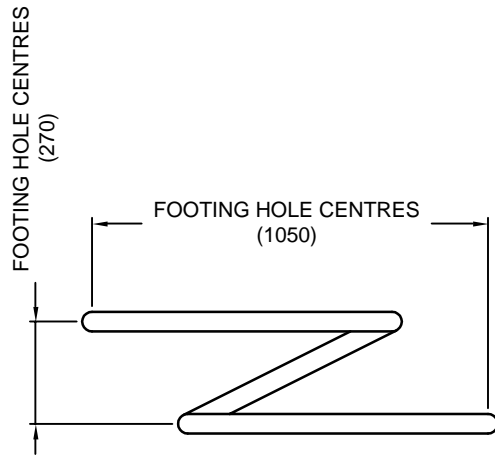


© COPYRIGHT
This document produced by City of Adelaide shall not copied without written consent.

CONSTRUCTION STANDARD
Furniture
ADELAIDE SUITE
Bollard



STANDARD NUMBER	SHEET No.
F 313	01

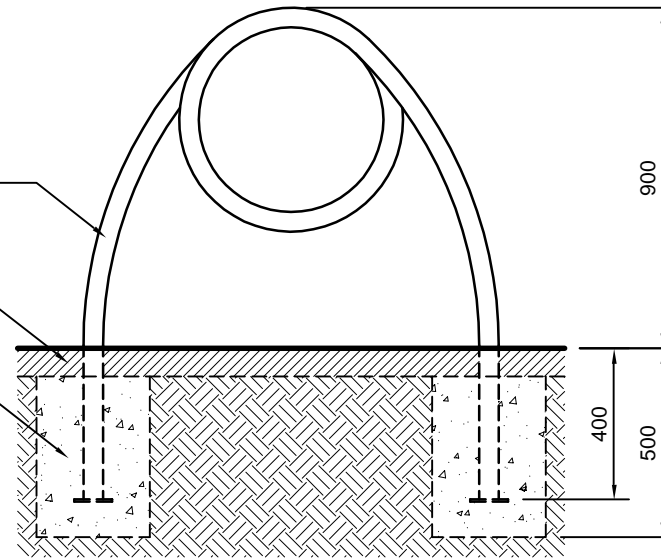


PLAN
(1:20)

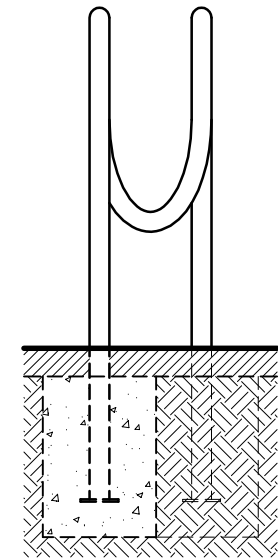
BICYCLE STAND, fabricated from 52Ø nom. stainless steel tube with 100 x 100 x 6 base plates

Paving finish

300Ø concrete footings



FRONT ELEVATION
(1:20)



SIDE ELEVATION
(1:20)

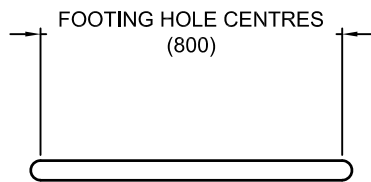
DESIGNED TL	CHECKED TL
DRAWN JR	CERTIFIED RS
DATE 05/2001	
SCALE as shown	
DRWG No. C-FS-104-01	

© COPYRIGHT
This document produced by City of Adelaide shall not copied without written consent.

CONSTRUCTION STANDARD
Furniture
ADELAIDE SUITE
Bicycle Stand Type 1



STANDARD NUMBER	SHEET No.
F 520	01

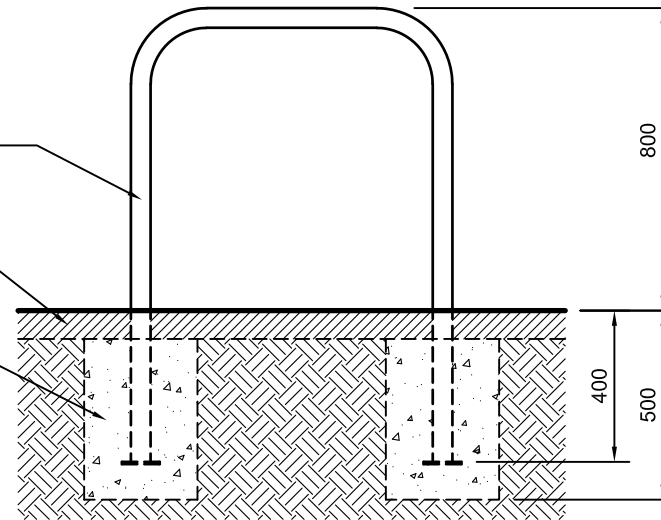


PLAN
(1:20)

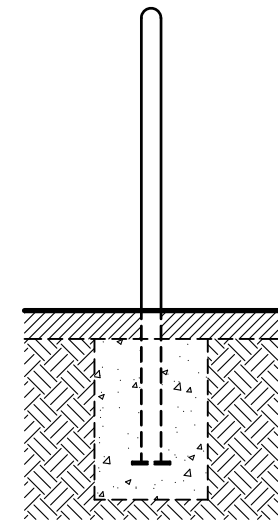
BICYCLE STAND, fabricated from
52Ø nom. stainless steel tube with
100 x 100 x 6 base plates

Paving finish

300Ø concrete footings



FRONT ELEVATION
(1:20)



SIDE ELEVATION
(1:20)

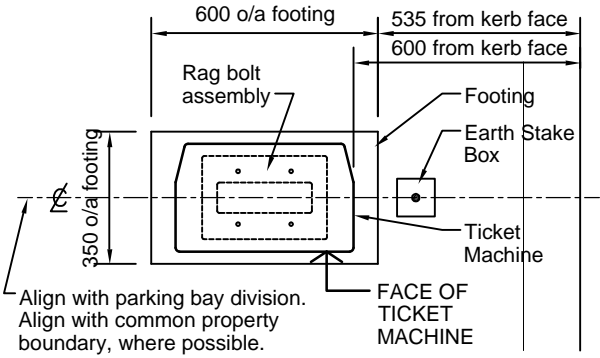
DESIGNED	TL	CHECKED	TL
DRAWN	JR	CERTIFIED	CoA
REVISION	A	DATE	10/2019
		SCALE	as shown
		DRWG No.	C-FS-105-01

CONSTRUCTION STANDARD
Furniture
ADELAIDE SUITE
Bicycle Stand Type 2

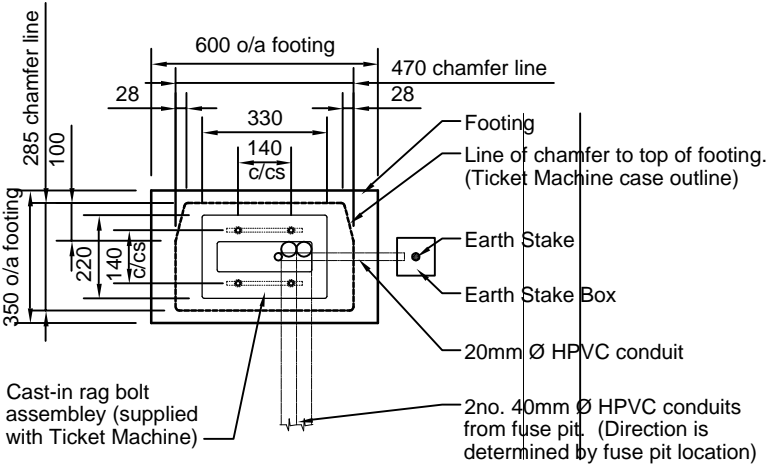


© COPYRIGHT
This document produced by City of Adelaide shall not copied without written consent.

STANDARD NUMBER	SHEET No.
F 521	01



LOCATION PLAN
(1:20)

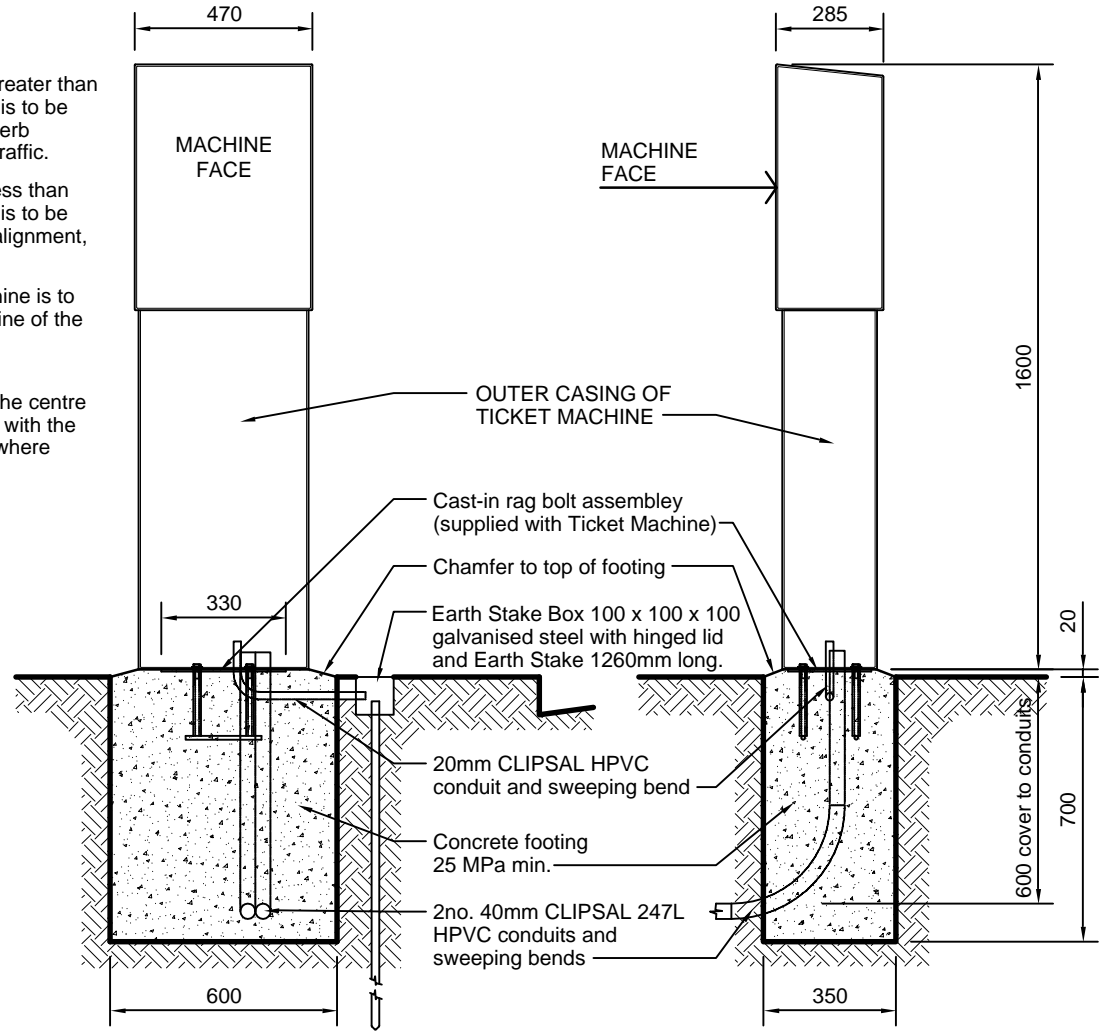


FOOTING PLAN
(1:20)

NOTES.

1. Where the footpath width is greater than 2 metres, the Ticket Machine is to be placed at right angles to the kerb alignment, facing oncoming traffic.
2. Where the footpath width is less than 2 metres, the Ticket Machine is to be placed parallel with the kerb alignment, facing the property.
3. The centre of the Ticket Machine is to be aligned with the Division Line of the adjacent parking bay. (for vehicle door clearance)
4. The preferred location is with the centre of the Ticket Machine aligned with the common property boundary, where applicable.

DIRECTION OF TRAFFIC ↑



SECTIONS
(1:20)

DESIGNED TL	CHECKED TL
DRAWN JR	CERTIFIED RS
DATE 05/2001	
SCALE as shown	
DRWG No. C-FS-001-01	

© COPYRIGHT
This document produced by City of Adelaide shall not copied without written consent.

CONSTRUCTION STANDARD Furniture TICKET VOUCHER MACHINE	



STANDARD NUMBER	SHEET No.
F 910	01